

WWW.WILLIAMSFIRE.COM | INFO@WILLIAMSFIRE.COM

RESPONSE • EQUIPMENT • TRAINING

24HR EMERGENCY / 409-727-2347 | 281-999-0276
P.O. BOX 1359 MAURICEVILLE, TX 77626

ARFF

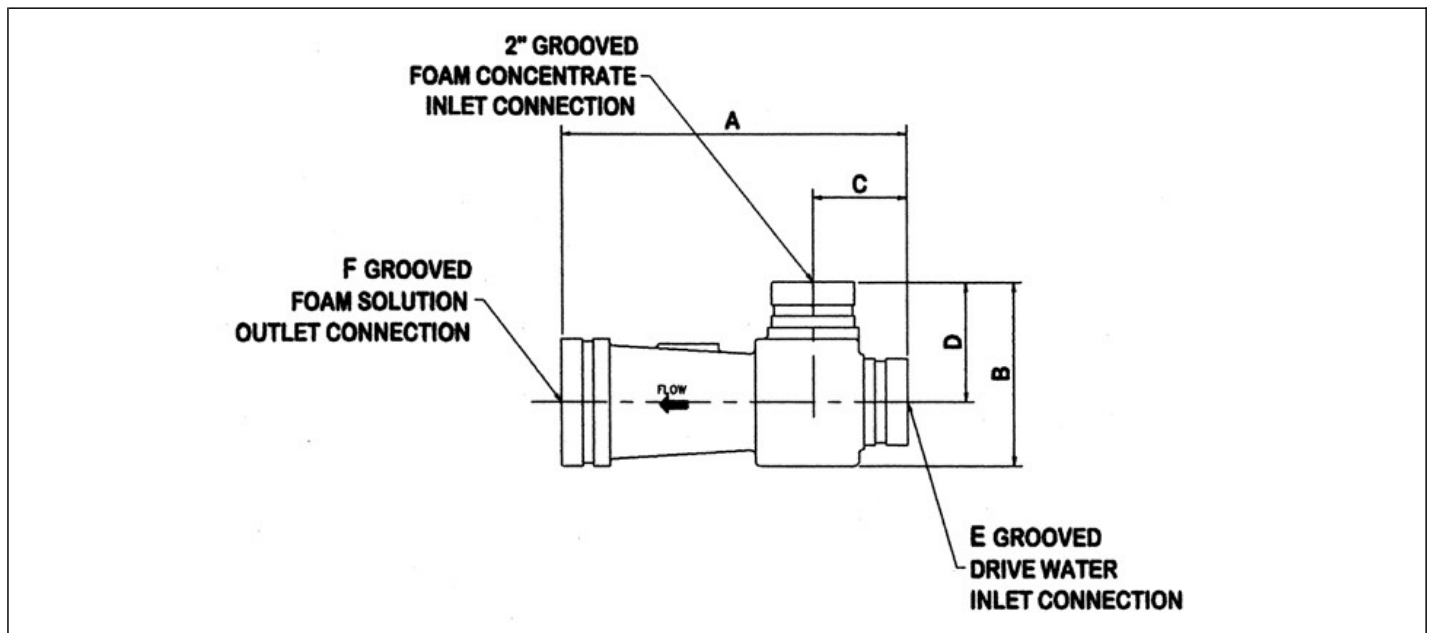
ATP Eductors - 2" & 3", Grooved Type

GENERAL DESCRIPTION

The Around The Pump Eductor is a fundamental, economical, yet proven way to produce foam on a fire truck. In operation a portion of the fire water discharge is diverted to the eductor. The eductor picks up foam concentrate from the on-board atmospheric foam tank and delivers it to the suction side of the water pump. A metering valve such as the Multiport Metering Valve controls the amount of concentrate entering the system. This, along with the rate of discharge, determines the solution flow rate; typically from 1% to 6%. All discharges in this type of system will produce foam solution. Eductors are constructed of brass to provide years of trouble free service.



TABLE - SPECIFICATIONS



	2"	3"
A	7.5"	10"
B	3.875"	5.0625"
C	2.8125"	2.6875"
D	2.625"	3.3125"
E	1.5"	2"
F	2"	3"
G	10"	15"

TABLE - PRODUCT MODELS

Part #	Ratio Controller Size	Configuration	Nominal Concentrate Flow	Maximum Proportioning Rates (gpm)		Drive Water Flow @ 200 psi
				3%	6%	
2.0EDCT-75	2"	Grooved	75 gpm	2500	1250	85 gpm
3.0EDCT-150	3"	Grooved	150 gpm	5000	2500	150 gpm