



WATER SUPPLY / HYDRANT SECTION INDEX

Water Discharge Manifold - High Volume 12" "Type A"G2
Hose Connections (only)

Water Discharge Manifold - High Volume 12" "Type B"G3
Hose Connections with Monitor Mounting Flange (Blind)

10" Ring Main ManifoldG4

6" Wet Barrel HydrantG5

8" Wet Barrel HydrantG6

3" Wet Barrel HydrantG7



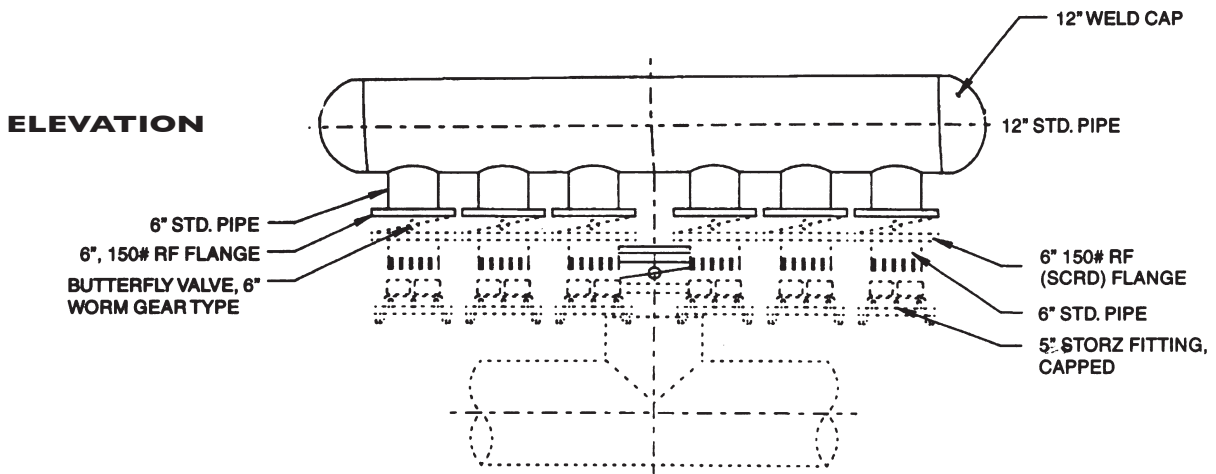
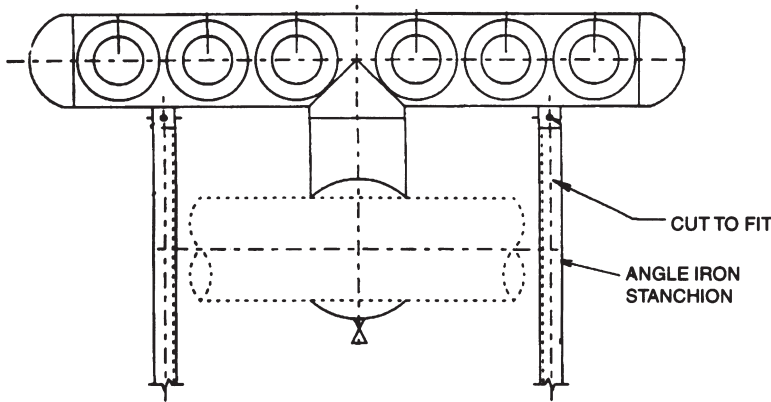
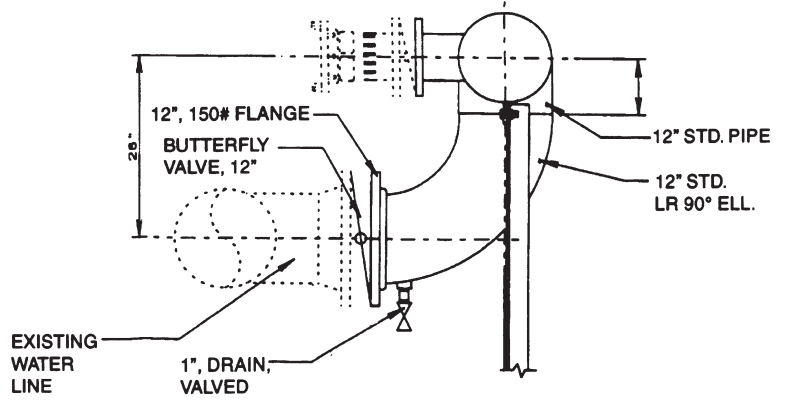
Water Supply / Hydrant Section

Water Discharge Manifold - High Volume 12" "Type A"

Hose Connections (only)

Description:

High volume monitors require a water inlet supply system (piping and hose) with minimum restrictions. In nearly all cases, Williams' High volume (2,000 gpm to 14,000 gpm) nozzles should be supplied with either 5" or 6" diameter hose from the discharge manifold to the gun. Also, in most cases, high volume hose connections are "Storz" quick-connect type. Because most existing fire hydrants are not provided with high volume outlets, Williams designs and fabricates special High Volume Water Discharge Manifolds for use with high capacity monitors. The "Type A" general configuration is shown below.



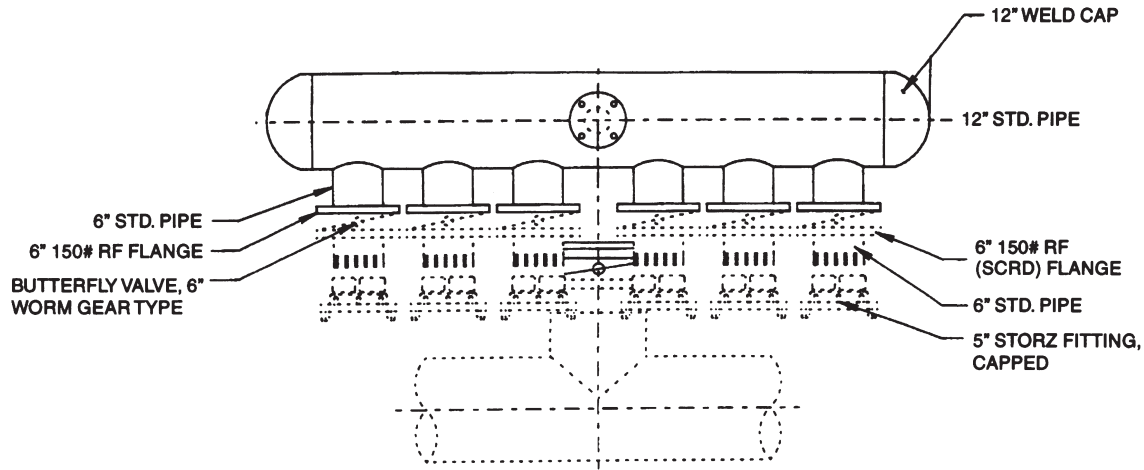


Water Supply / Hydrant Section

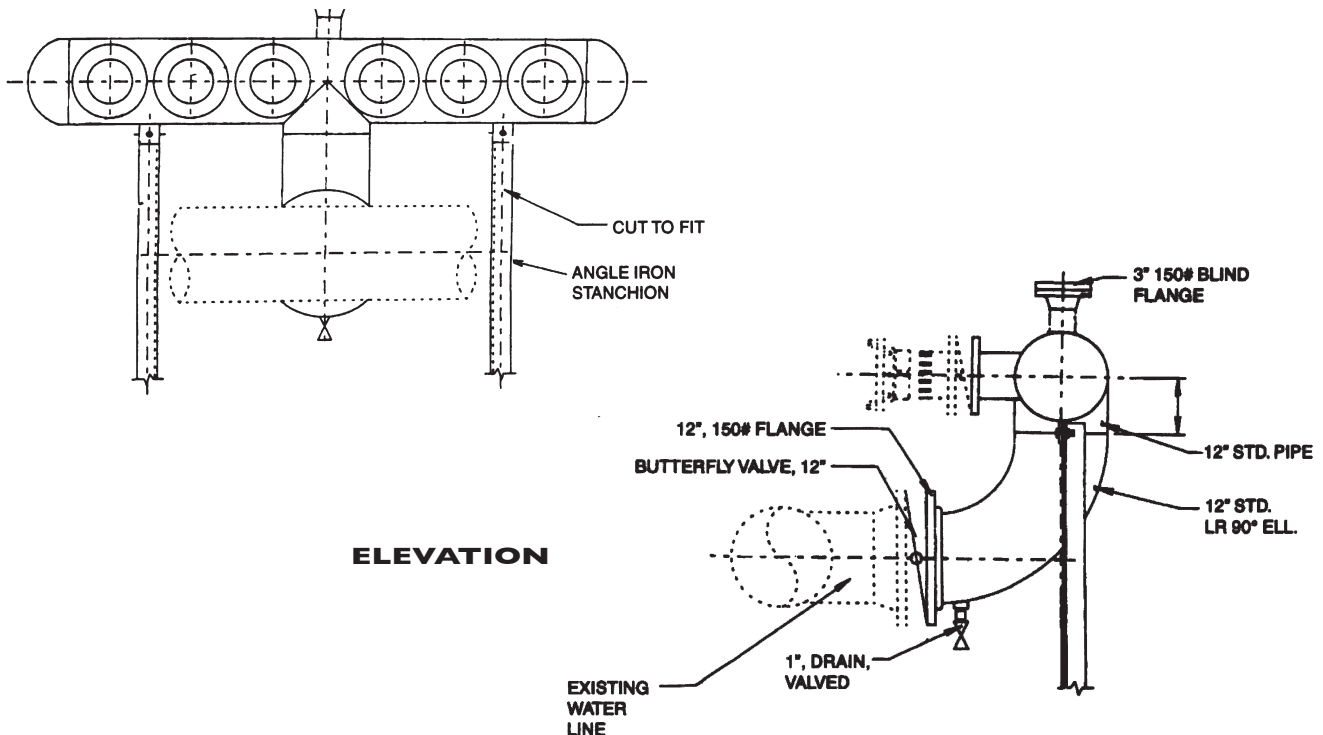
Water Discharge Manifold - High Volume 12" "Type B" Hose Connections with Monitor Mounting Flange (Blind)

Description:

High volume monitors require a water inlet supply system (piping and hose) with minimum restrictions. In nearly all cases, Williams' High volume (2,000 gpm to 14,000 gpm) nozzles should be supplied with either 5" or 6" diameter hose from the discharge manifold to the gun. Also, in most cases, high volume hose connections are "Storz" quick-connect type. Because most existing fire hydrants are not provided with high volume outlets, Williams designs and fabricates special High Volume Water Discharge Manifolds for use with high capacity monitors. The "Type B" general configuration is shown below.



PLAN

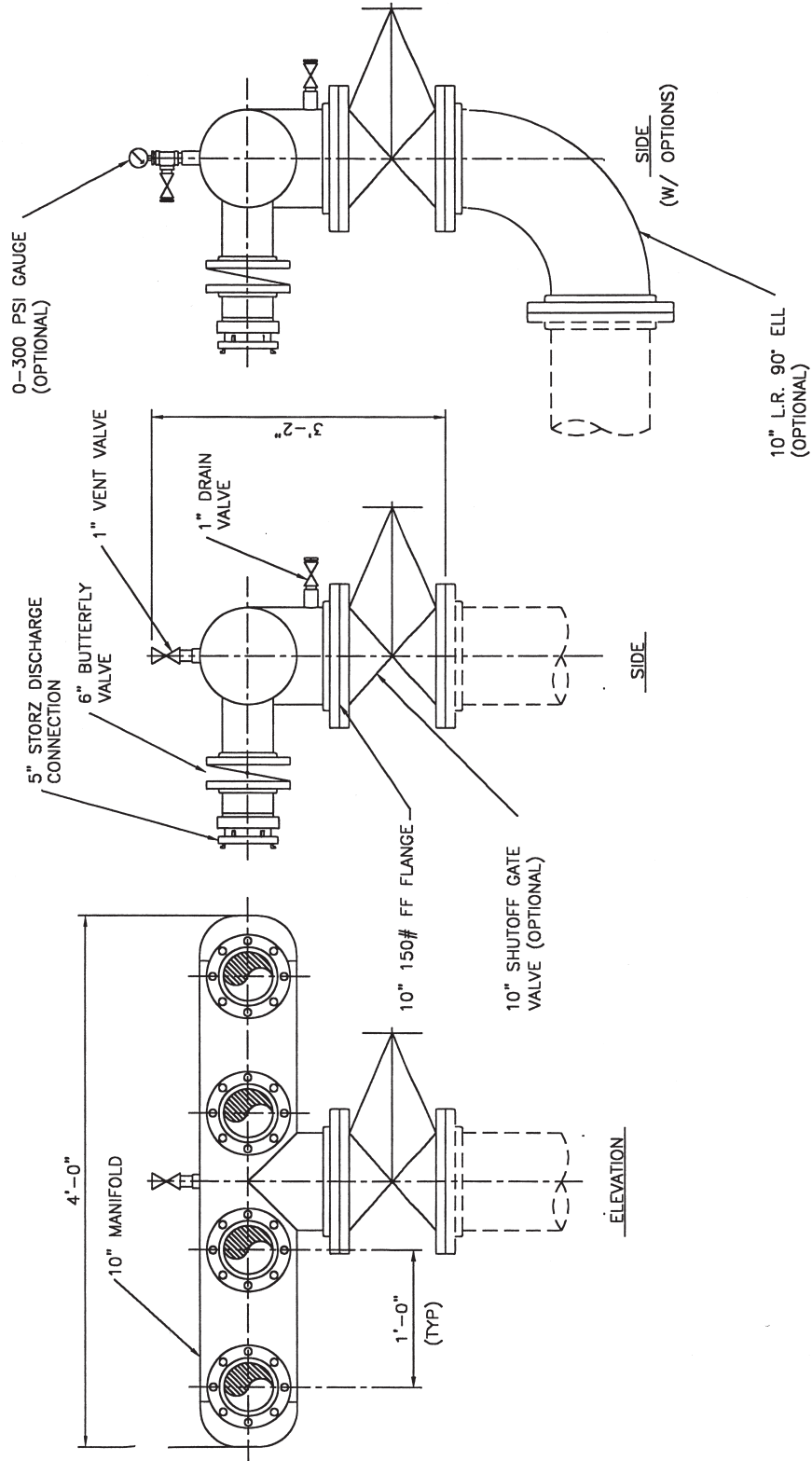


ELEVATION



Water Supply / Hydrant Section

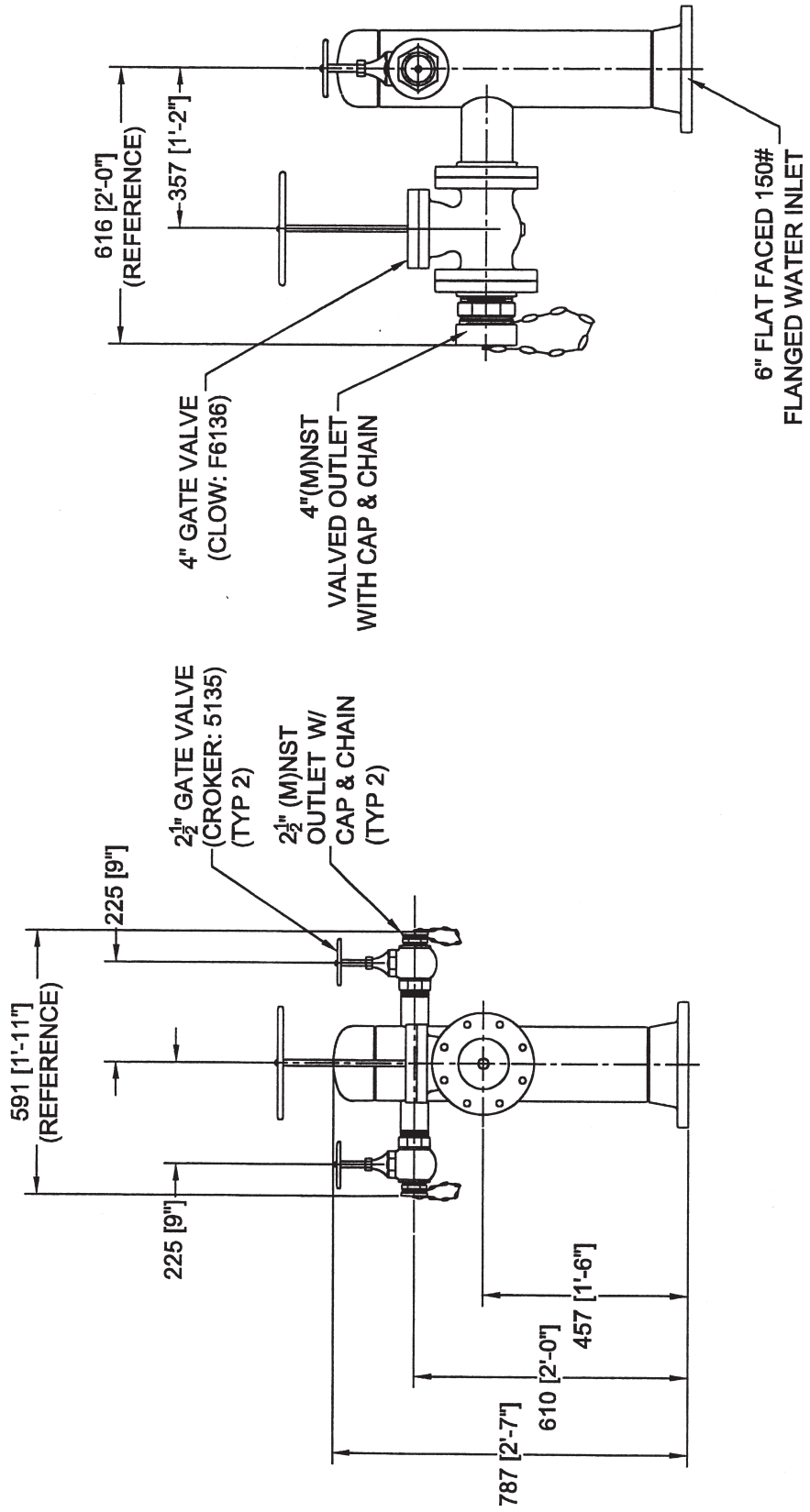
10" Ring Main Manifold





Water Supply / Hydrant Section

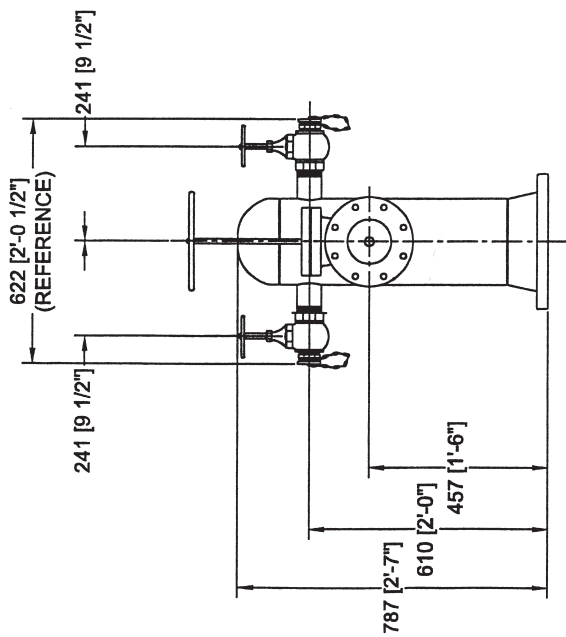
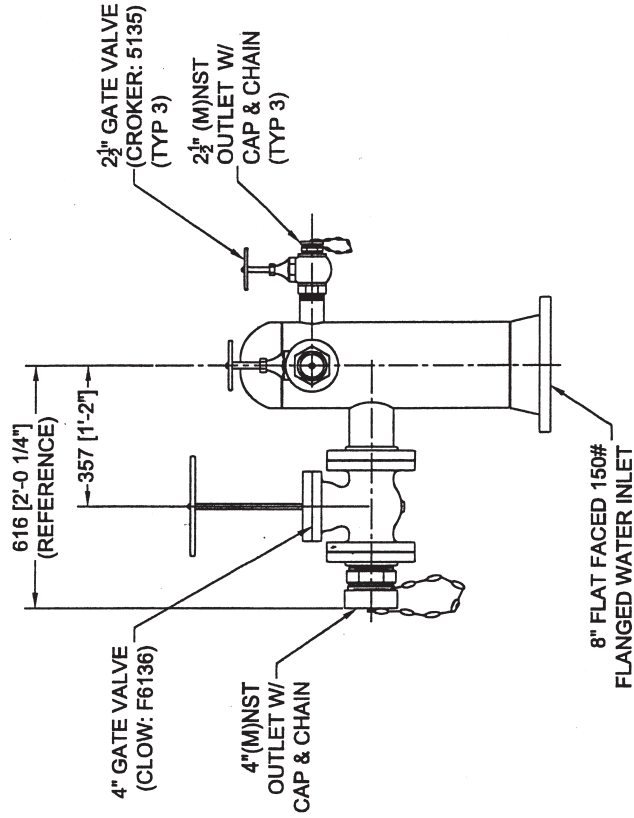
6" Wet Barrel Hydrant





Water Supply / Hydrant Section

8" Wet Barrel Hydrant





Water Supply / Hydrant Section

3" Wet Barrel Hydrant

